

Catalog Number: MK0816B1400RLT

Features and Ratings



- Outdoor Enclosure (Type 3R)
- Ringless Type Meter Cover
- Device Rating: 400A Max
- 120/240V~ 1 Phase, 3 Wire
- 120/208V~ 1 Phase, 3 Wire w/5th Jaw Installed
- Meter Socket Rating: 320A Continuous (400A Max.)
- 4 Jaw, Lever Operated Bypass w/Jaw Tension Release
- 200A Main Breaker Installed
- (8) 1" Breaker Spaces, (16) Circuits Max.
- Overhead or Underground Service Entrance
- Service Disconnects in Separate Compartments
- 7/8" and 7/16" Barrel Lock Provisions
- Surface Mounting, Uses HD Type Hubs
- NEC 2020 Compatible

Accessories

ORDER HUBS FROM "HD" SERIES

- Cover Plate EC56933S
- 3" Hub EC56856
- 3 1/2" Hub EC56857
- 4" Hub EC56858

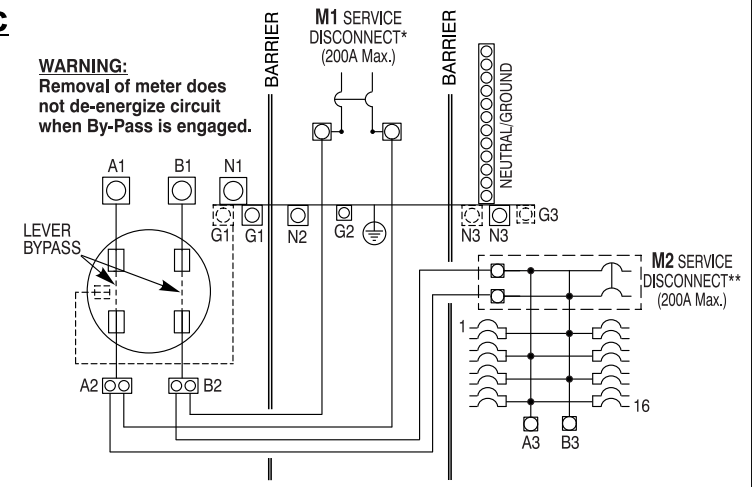
- Filler Plate ECQF3
- 5th Jaw Kit w/Shield H35815-2
- Anti-Inversion Kit H59676
- Neutral Lug Kit ECLK3N
- Mechanical Interlock ECQML12
- Standby Interlock Kit ECSBPK05
- Standby Interlock Kit ECSBPK07

Terminals and Schematic

| TERMINAL | WIRE SIZE kcmil OR AWG; CU/AL | TORQUE LB.-IN. |
|------------------------|--|-------------------|
| A1, B1, N1 | (1) 600 kcmil-#4 OR (2) 250 kcmil-1/0 | 500 500 |
| A2, B2 | 350 kcmil - #4 | 275 |
| A1, B1, N1 | Alt. Lugs H56732-2 (2) 350 kcmil - #4 | 275 |
| A1, B1, N1 | Alt. Lugs H56732M (2) #4-500 kcmil | 375 |
| G1, N2, N3, A3, B3 | 300 kcmil - #4 | 250 |
| G2, G3 | #2 - 14 AWG | 50 |
| NEUTRAL/ GROUND BAR | 10-14 CU/10-12 AL | 20 |
| | 8 AWG | 25 |
| | 6-4 AWG | 35 |

HARDWARE TIGHTENING TORQUES:
3/8" NUTS 250-300 LB.-IN.

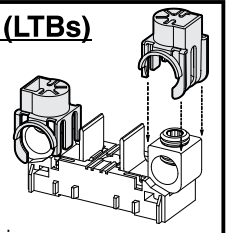
WARNING:
Removal of meter does
not de-energize circuit
when By-Pass is engaged.



*M1: Use Breaker Types QP, QN, QPH, QNH (200A Max.)
**M2: 200A Breaker Type QNRH Factory Installed

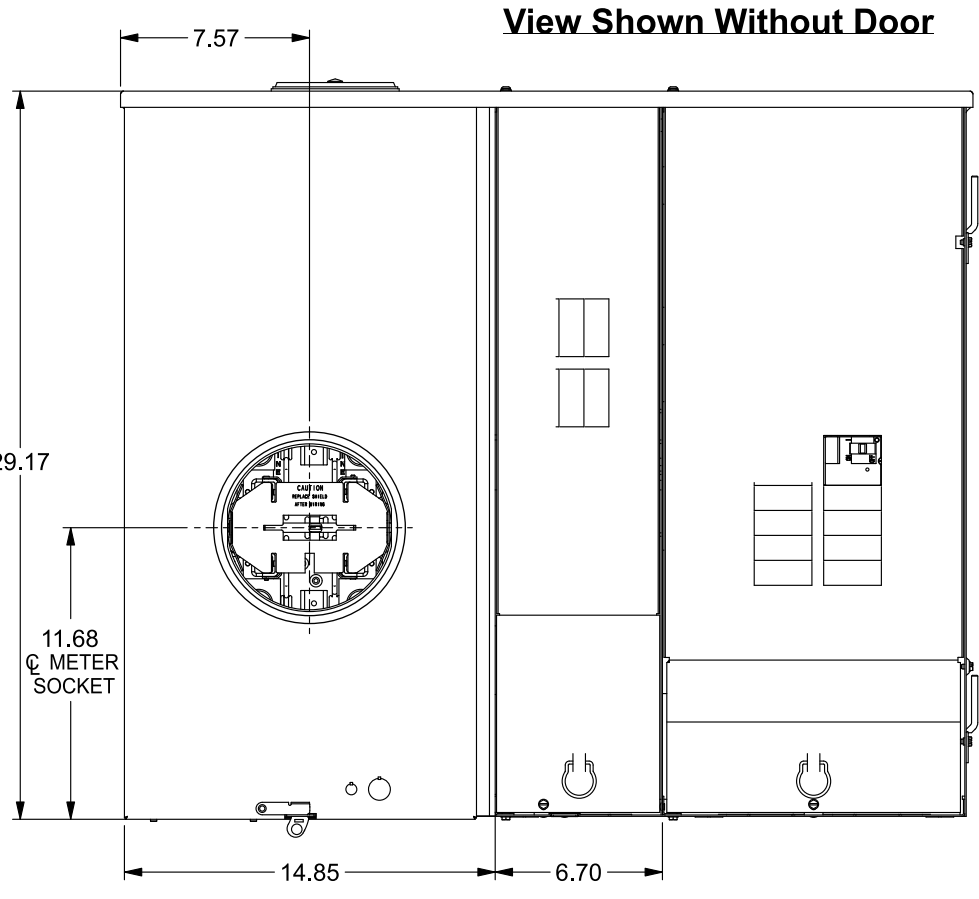
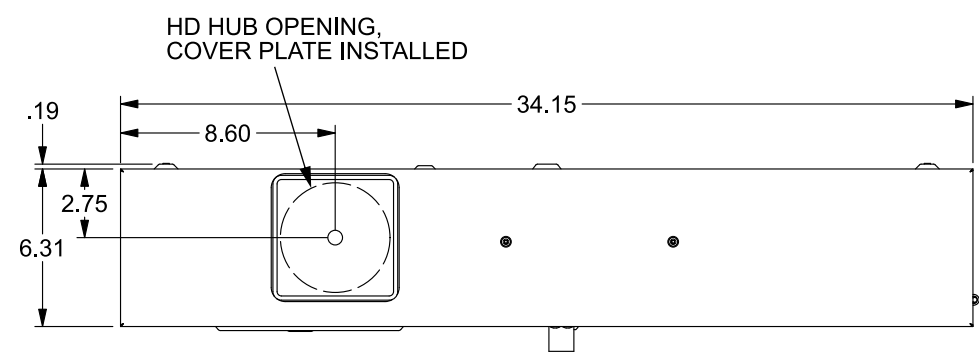
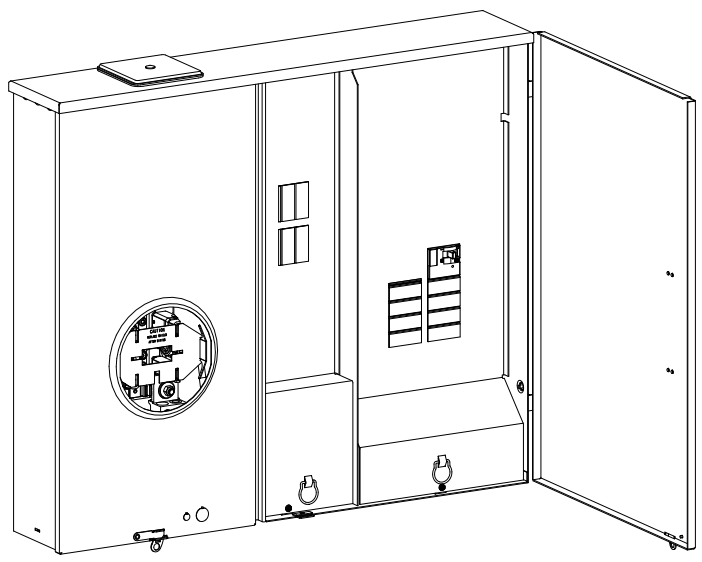
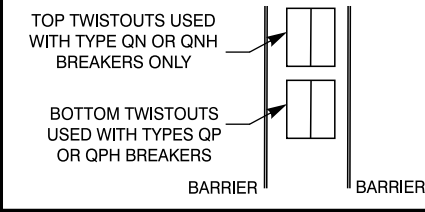
Line Terminal Barriers (LTBs)

Line Terminal Barriers (ECLTB10) are factory-installed over line lugs in compliance with UL 67 and the National Electrical Code®.

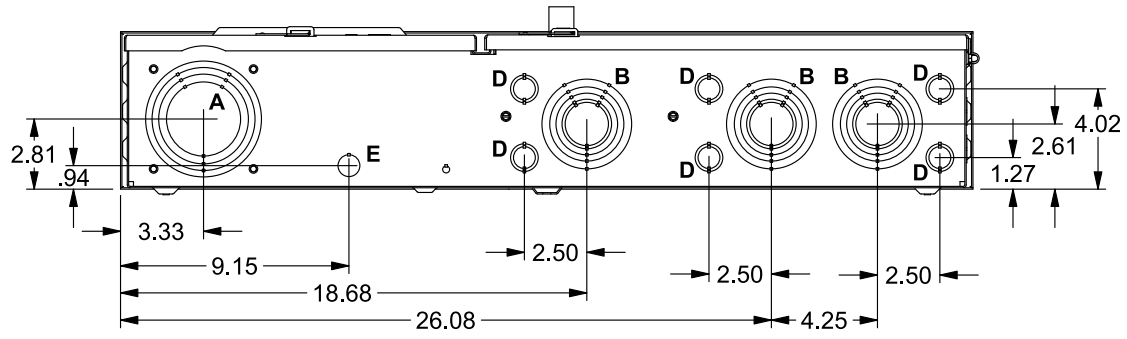
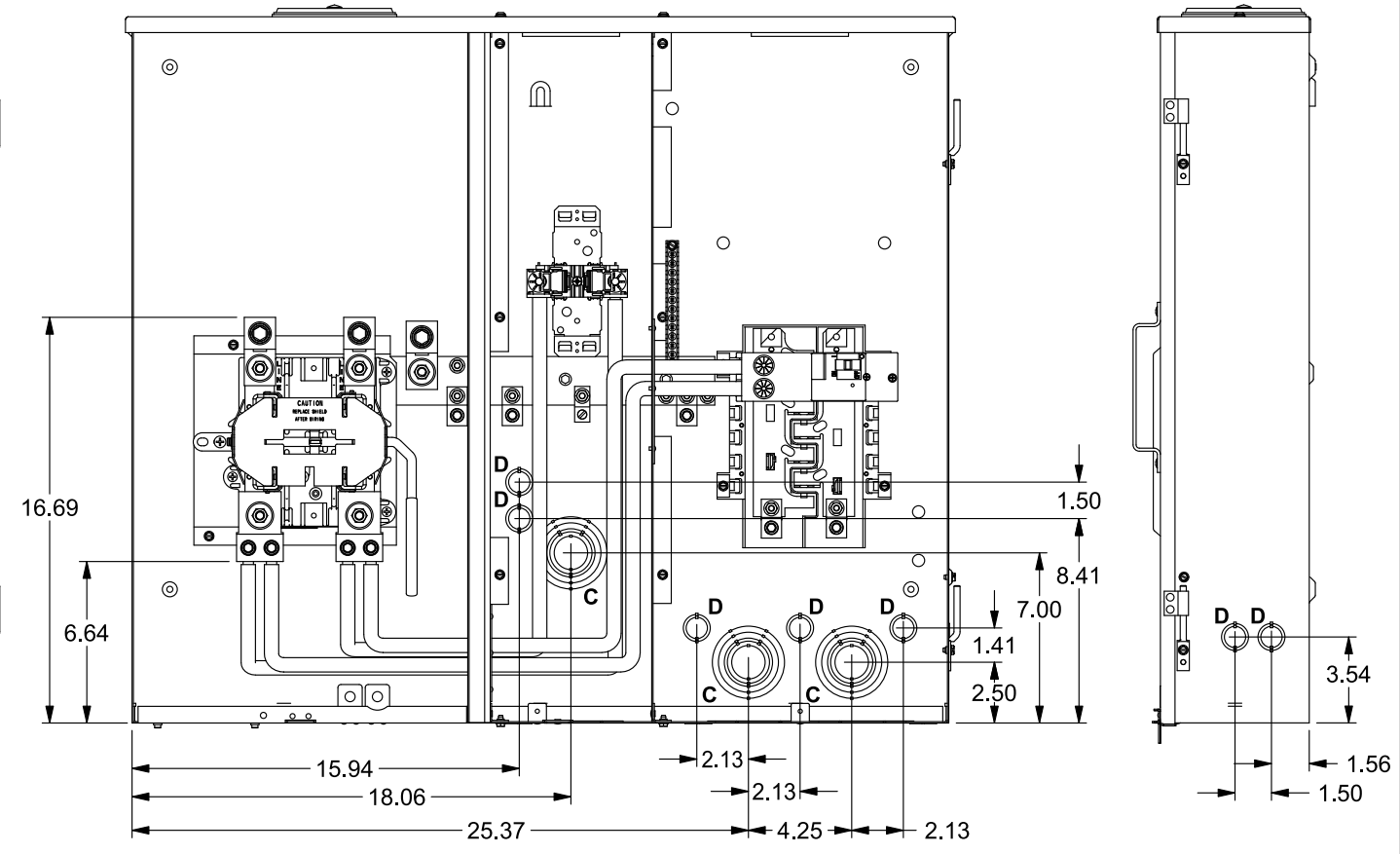


Line Terminal Barrier (ECLTB7) also included with device.

Deadfront View



View Shown Without Cover, Door, and Deadfronts



| K.O. CHART | | |
|-------------|-----|--|
| DESIGNATION | QTY | DESCRIPTION |
| A | 1 | 4", 3-1/2", 3", 2-1/2", 2" KO w/HD Hub Provision |
| B | 3 | 3", 2-1/2", 2", 1-1/2", 1-1/4", 1" KO |
| C | 3 | 2-1/2, 2, 1-1/2, 1-1/4, 1" KO |
| D | 13 | 3/4", 1/2" KO |
| E | 1 | 1/2" KO |

© 2024 Copyright Siemens Industry, Inc.

SIEMENS
Siemens Industry, Inc.

Outdoor Combination Metering

Description:
400A, 1ph, Ringless, OH/UG, Lever Bypass

KAM 8/26/24 DO NOT SCALE DRAWING Dwg. No. **MK0816B1400RLT**